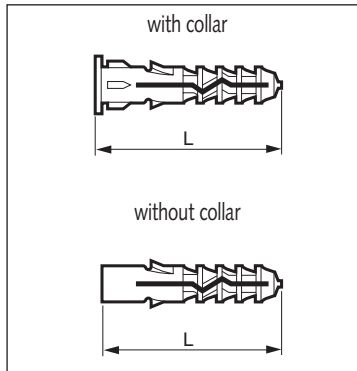
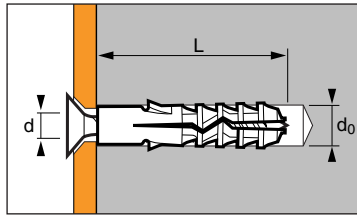


SPIT NYL



Universal nylon lightweight anchor

Technical data

TYPE	Ø woodscrew	Ø drill bit	Total anchor length mm L	CODE	
	mm d	mm d ₀		with collar	without collar
	NYL 5	2,5 - 4		5	25
NYL 6	3,5 - 5	6	30	057080	057140
NYL 8	4,5 - 6	8	40	057090	057020
NYL 10	6 - 8	10	50	-	057030
NYL 12	8 - 10	12	60	-	057150
NYL 14	10 - 12	14	70	-	057050
NYL 10 PV	-	10	50	-	057060

PV: version with threaded head M8x125

Recommended and ultimate loads



TYPE	Ø screw used	Concrete				Clay brick		Hollow clay brick		Aerated con.	Concrete		Aerated con.
		≥ C 20/25		BP 400		RJ 40		NFP 14-306		≥ C 20/25	NFP 14-306		
		N _{rec} *	N _{u,m} *	N _{rec} *	N _{u,m} *	N _{rec} *	N _{u,m} *	N _{u,m} *	V _{rec} *	V _{u,m} *	V _{u,m} *		
NYL 5	4	0,3	1,5	0,3	1,5	0,20	1,0	0,22	0,3	3,1	0,16		
NYL 6	5	0,5	2,5	0,5	2,5	0,25	1,3	0,44	0,8	4,9	0,23		
NYL 8	6	0,8	4,0	0,8	4,0	0,35	1,8	0,65	1,0	5,8	0,42		
NYL 10	8	1,2	6,0	1,1	5,5	0,45	2,3	0,91	1,2	7,3	0,71		
NYL 12	10	1,8	9,0	1,5	7,5	0,55	2,8	1,33	2,8	22,3	0,96		
NYL 14	12	2,8	14,0	1,8	9,0	0,70	3,5	1,50	3,0	24,0	1,10		

* indicative values

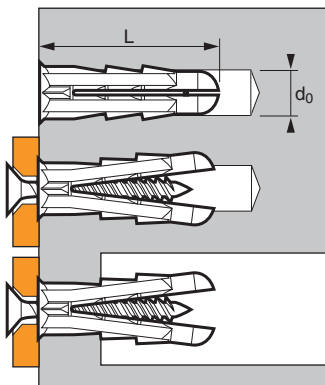
APPLICATION

- All lightweight fixings,
- Bathroom accessories,
- Electrical installations,
- Plastic trunking.

MATERIAL

- Body : polyamide 6

SPIT ARPON



Universal polyethylene lightweight anchor

Technical data

TYPE	Ø woodscrew	Ø drill bit	Total anchor length mm L	CODE
	mm d	mm d ₀		
	ARPON 6	3 to 5		
ARPON 8	4 to 7	8	32	198180
ARPON 8 PV	-	8	32	198190

PV: version with threaded head M7x150

Recommended and ultimate loads



TYPE	Ø woodscrew	Concrete		Hollow concrete block		Hollow clay brick	
		≥ C 20/25		B40		RJ 40 with render	
		N _{rec} *	N _{u,m} *	N _{rec} *	N _{u,m} *	N _{rec} *	N _{u,m} *
ARPON 6	5	0,25	1,50	0,20	1,20	0,26	1,60
ARPON 8	6	0,25	1,50	0,22	1,30	0,26	1,60

* indicative values

APPLICATION

- Lightweight fixing in all base material,
- Small electrical accessories, small light fittings, fuse boxes, etc...

MATERIAL

- Polyethylene body