





## 70493 | Paulmann Montage



**Safety Instructions**  

0,1,2,4,6,7,8,11,15,18,19,25,26,27 


**Info Hotline** 

**+49(0)5041 998 389**  
 Mon.-Do. 7<sup>00</sup> - 20<sup>00</sup>  
 Fr. 7<sup>00</sup> - 17<sup>00</sup>

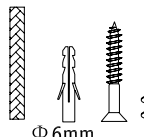
Paulmann Licht GmbH  
 Quezinger Feld 2  
 31832 Springe  
 Germany  
 www.paulmann.com

Art.-Nr.:70493

(+MA 173) PYW 01/15




max. 33W

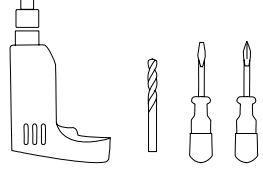
  $\Phi$  6mm



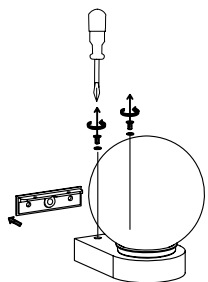
incl. 1 x 33W G9 

Art.-Nr. 800.31  
 www.paulmann.com

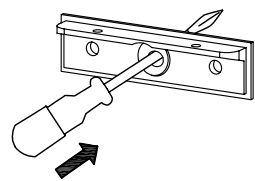





**A**

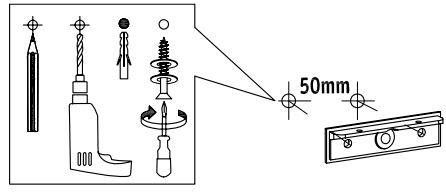


**B**



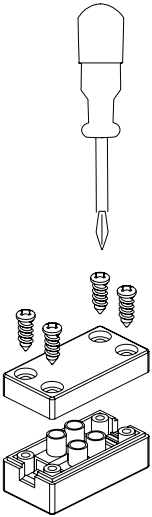
**C**


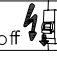
 **Safety Instructions** Nr. 0,1,2



50mm

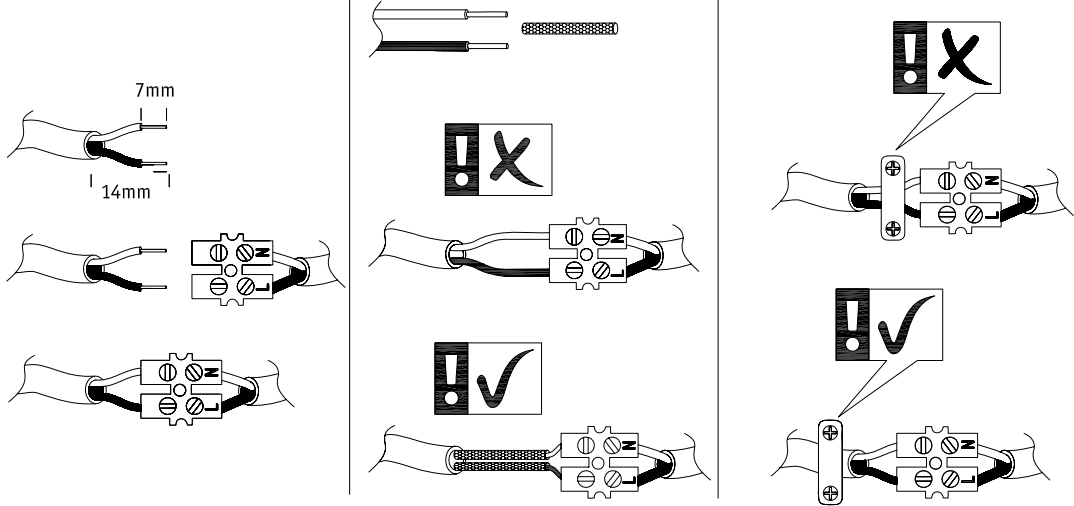
**D**







 **Safety Instructions** Nr. 0 

7mm

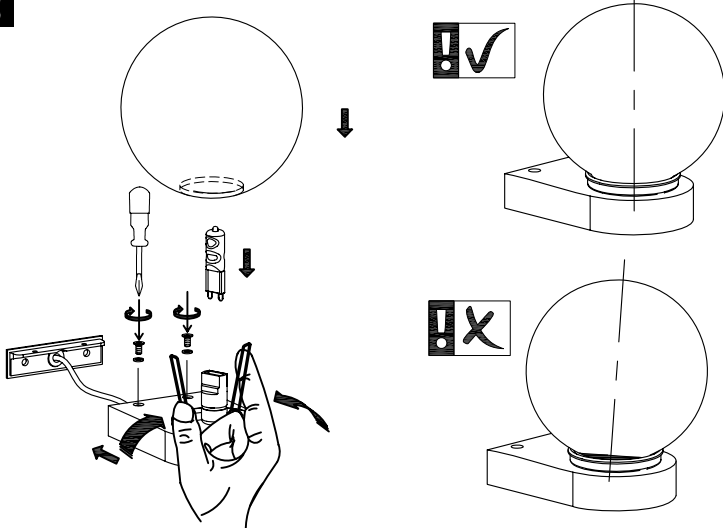
14mm





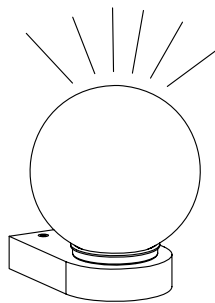
 


**E**





 

**F**









www.paulmann.com/  
 IP-protection/all