

**Safety Instructions**

1, 2, 3, 4, 5, 6, 7, 10, 11,  
12, 13, 14, 15, 16, 17, 18,  
20, 21, 22, 24, 28, 33, 34,



Info Hotline



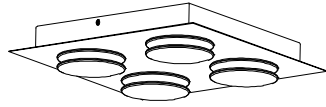
**+49 (0) 5041 998 389**

Mon. - Do. 7<sup>00</sup> - 20<sup>00</sup>  
Fr. 7<sup>00</sup> - 17<sup>00</sup>

Paulmann Licht GmbH  
Quezinger Feld 2  
31832 Springe /  
Germany

www.paulmann.com

Art.-Nr.:708.75  
(+MA 326)PUP 12/16



6mm

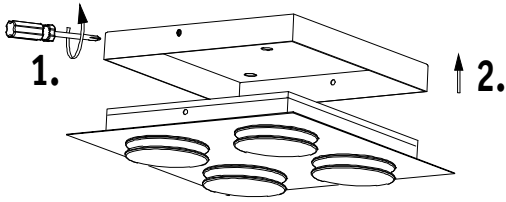


6mm

**A**

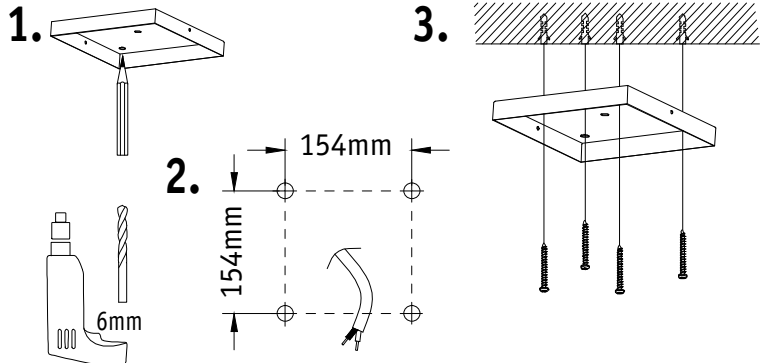


Safety Instructions  
Nr.5



**B**

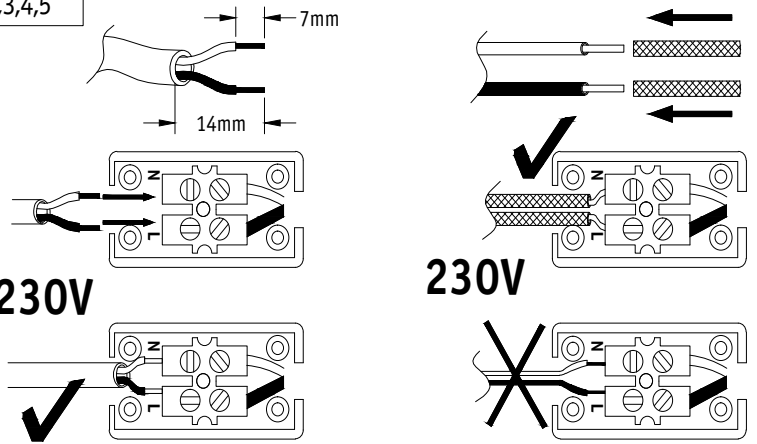
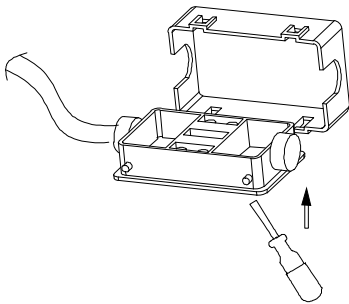
Safety Instructions  
Nr. 1,2,4,5,7



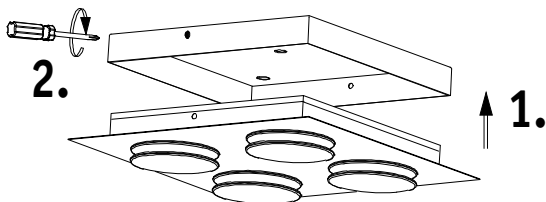
**C**

**D**

Safety Instructions  
Nr. 1,2,3,4,5



**E**



**IP23**

