



Paulmann

### Safety Instructions

1, 2, 3, 4, 5, 6, 7, 8, 12, 15, 16, 17, 18,  
19, 20, 24, 28, 33, 34



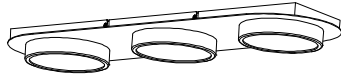
Info

[www.paulmann.com](http://www.paulmann.com)

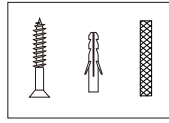
Paulmann Licht GmbH  
Quezinger Feld 2  
31832 Springe  
Germany

[www.paulmann.com](http://www.paulmann.com)

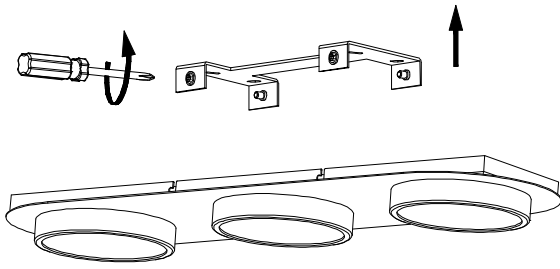
Art.-Nr.: 709.44  
(+MA 326)PUP 10/17



Incl.



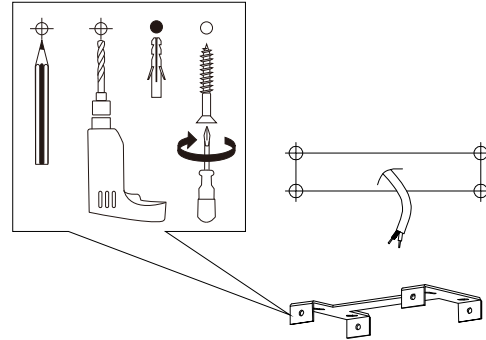
A



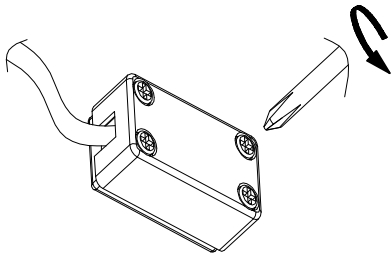
B



Safety Instructions  
Nr. 4, 5, 6, 7



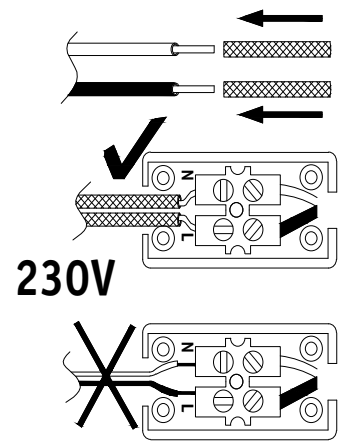
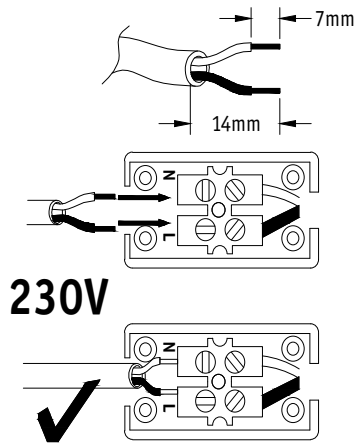
C



D



Safety Instructions  
Nr. 4, 5, 6



E

