



Paulmann

IP20



Info

www.paulmann.com

Paulmann Licht GmbH
Quezinger Feld 2
31832 Springe
Germany

www.paulmann.com

Art.-Nr.: 709.75



PEO 06/19



1x

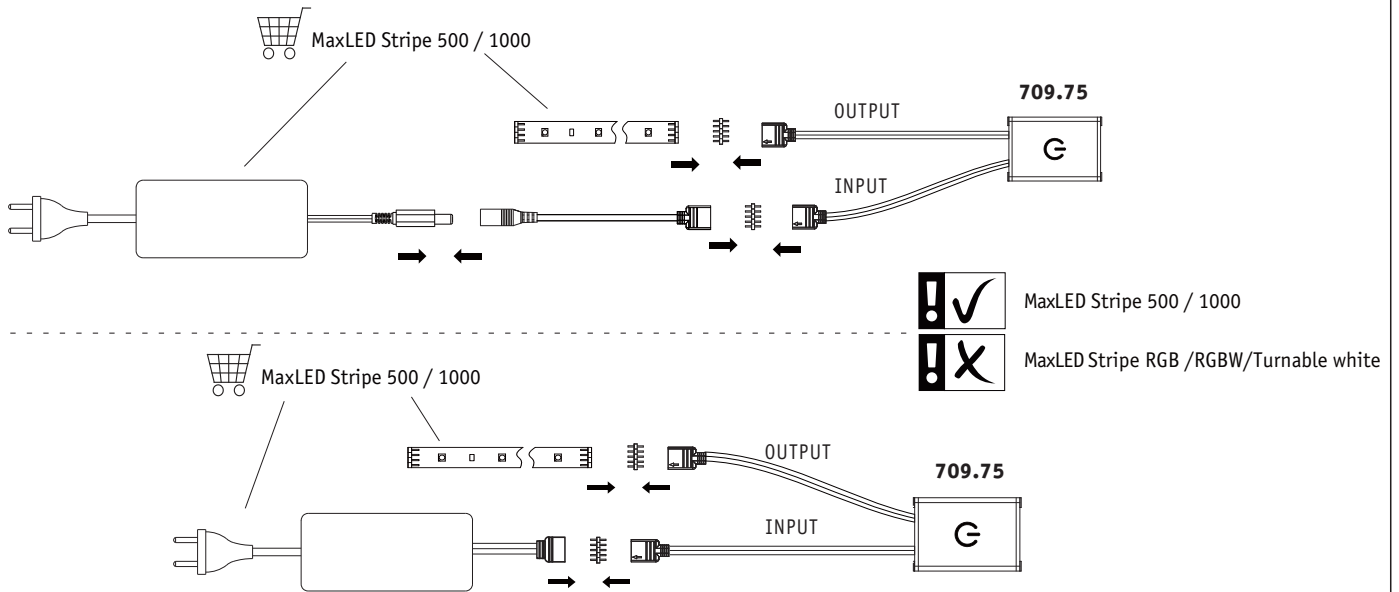


1x

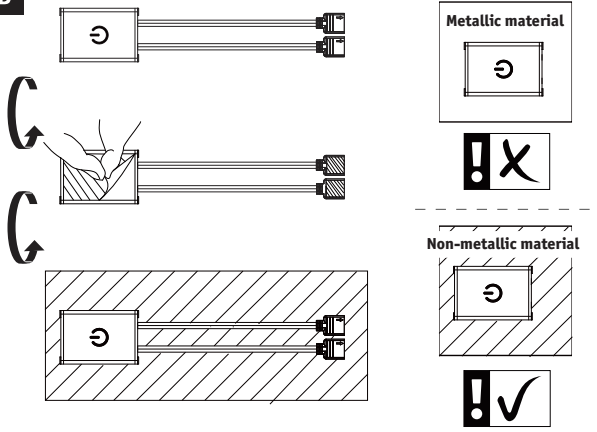


2x

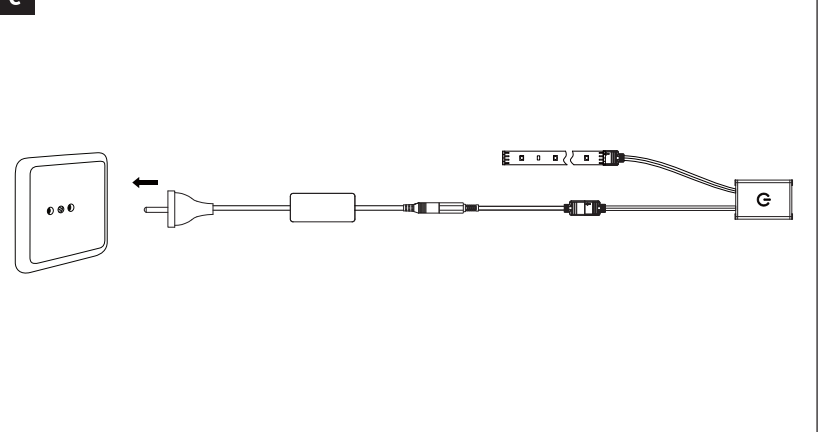
A



B



C



D

Touch < 0.5s → On/Off

Touch > 0.5s → > 0.5s →

or > 0.5s →

