

## 79665 | Paulmann notice



**Safety Instructions Nr.**

1, 2, 3, 4, 5, 6, 8, 14, 33, 34.



**Info Hotline**



**+49 (0) 5041 998 389**

Mon.-Do. 7<sup>00</sup>-20<sup>00</sup>  
Fr. 7<sup>00</sup>-17<sup>00</sup>

Paulmann Licht GmbH  
Quezinger Feld 2  
31832 Springe  
Germany

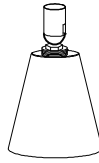
[www.paulmann.com](http://www.paulmann.com)

Art.-Nr.: 79665

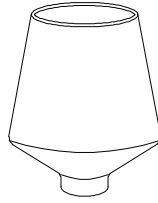
(+MA 326) PIA 12/16



Max. 1x20W LED



1X



1X

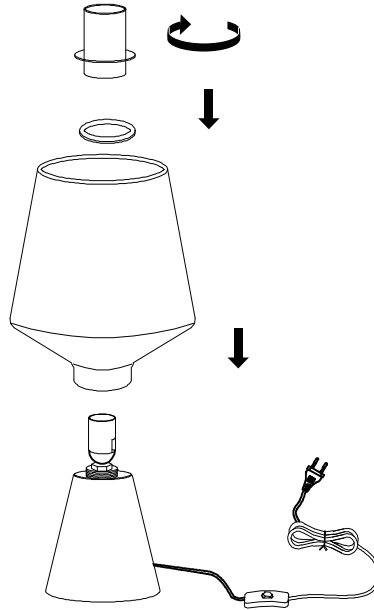


1X

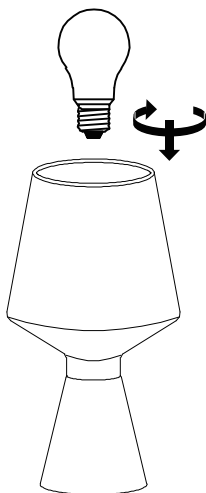


1X

**A**



**B**



**C**

