



Paulmann

### Safety Instructions

1, 2, 3, 4, 5, 7, 8, 14, 19, 28, 33, 34.



Info

[www.paulmann.com](http://www.paulmann.com)

Paulmann Licht GmbH  
Quezinger Feld 2  
31832 Springe  
Germany

[www.paulmann.com](http://www.paulmann.com)

Art.-Nr.: 797.43

(+MA 326) PIA 07/18



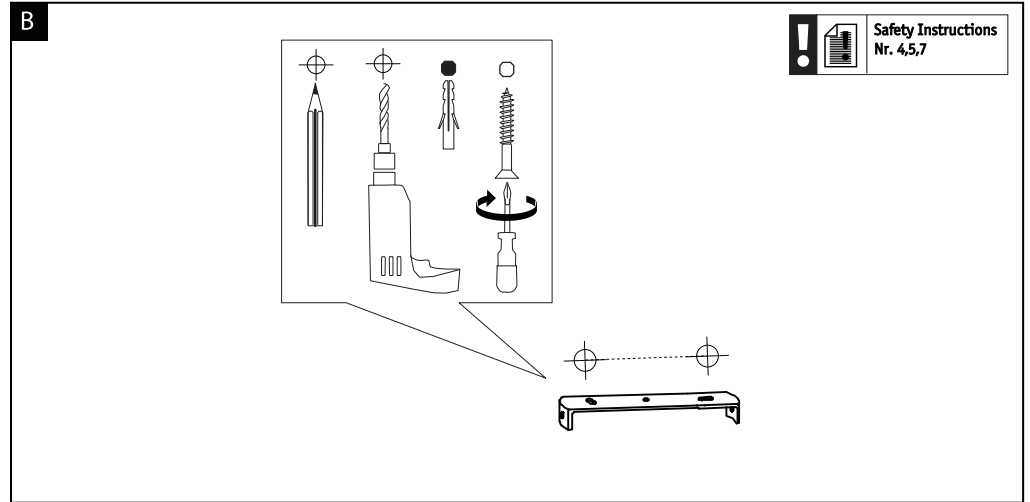
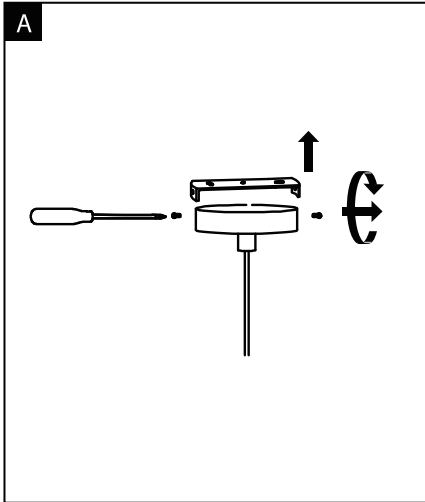
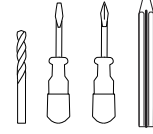
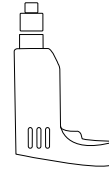
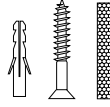
Max. 1x20W LED



x1

x1

incl.



Safety Instructions  
Nr. 4,5,7

