

## Encastré carrossable | Notice



Paulmann

### Safety Instructions

1, 2, 3, 4, 5, 6, 7, 10, 11, 12, 15, 16  
17, 18, 19, 20, 22, 23, 24, 25, 26, 27  
32, 33, 34



Info

[www.paulmann.com](http://www.paulmann.com)

Paulmann Licht GmbH  
Quezinger Feld 2  
31832 Springe  
Germany

[www.paulmann.com](http://www.paulmann.com)

Art.-Nr.: 939.19  
939.20

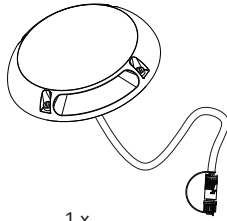


**i** IP 67

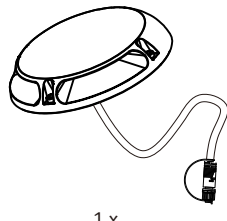
939.19

939.20

(+MA 326) PLRU 05/17



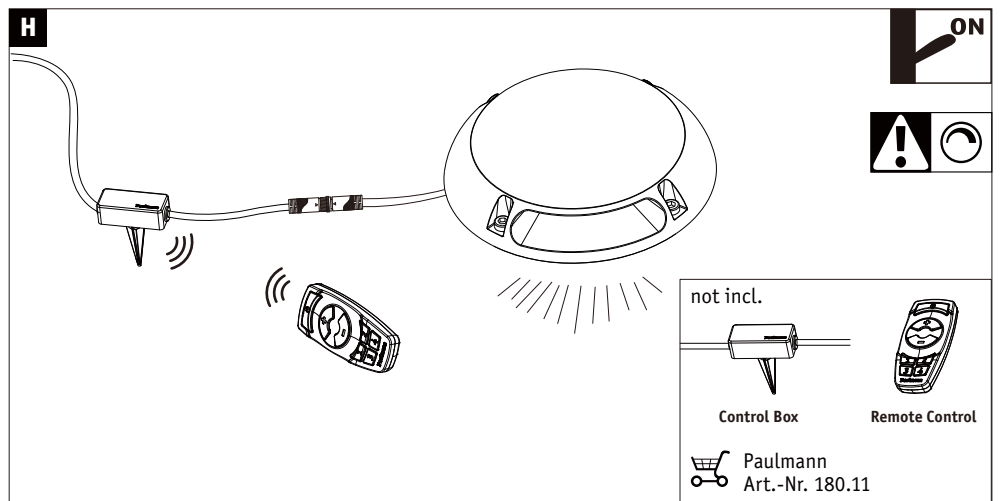
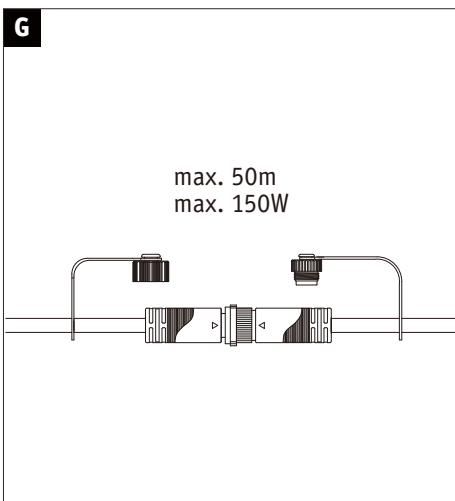
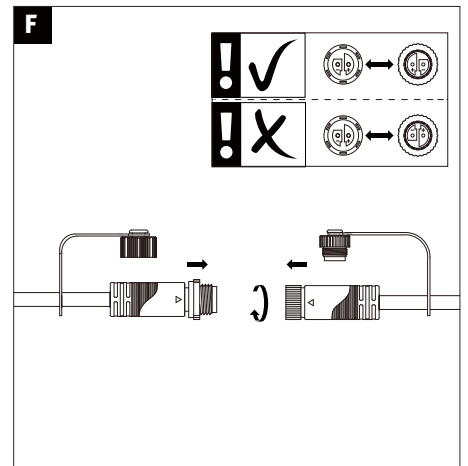
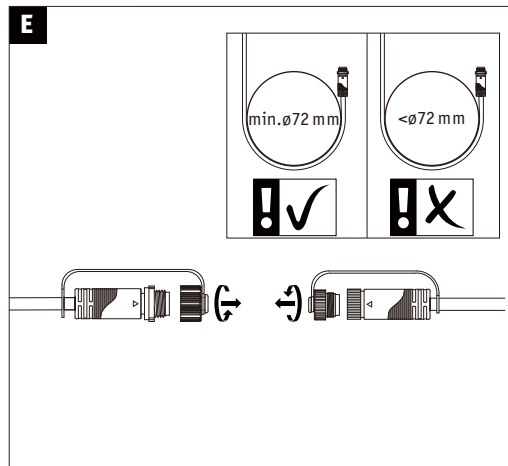
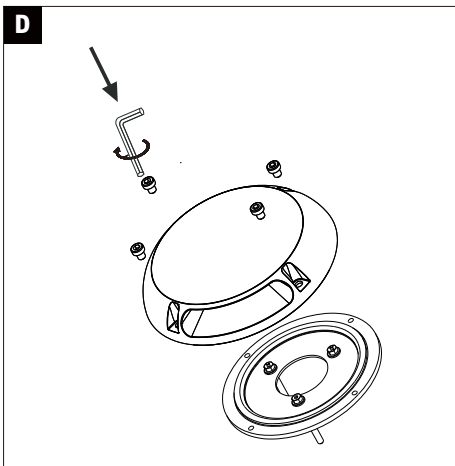
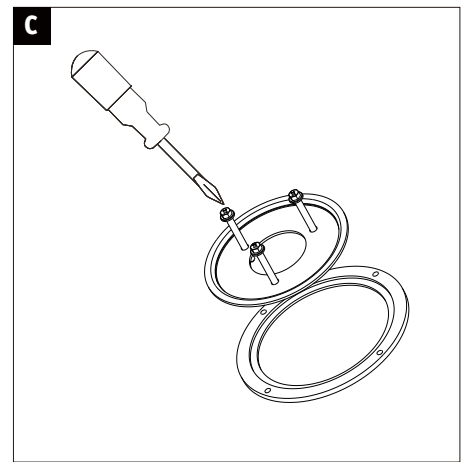
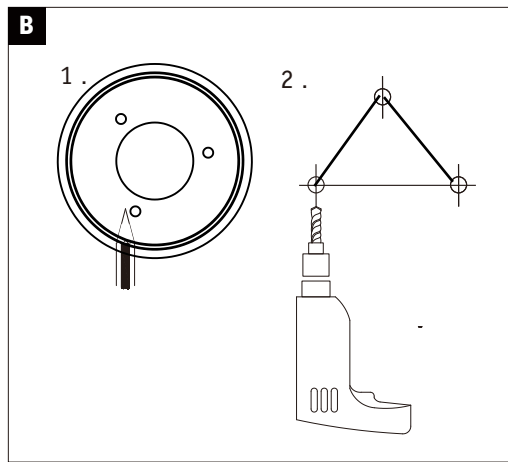
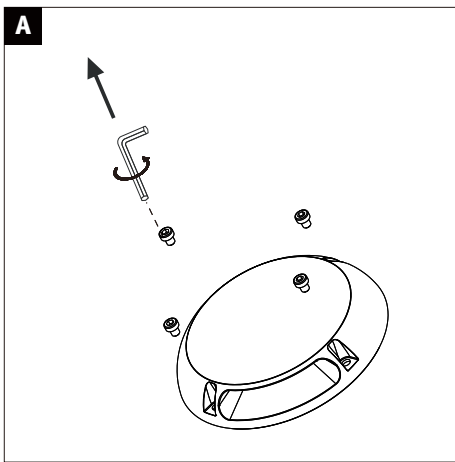
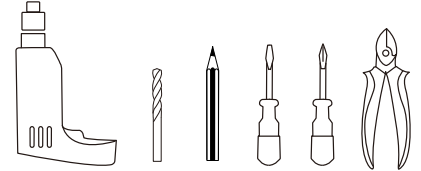
1x



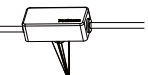
1x



incl.



not incl.



Control Box



Remote Control

Paulmann  
Art.-Nr. 180.11