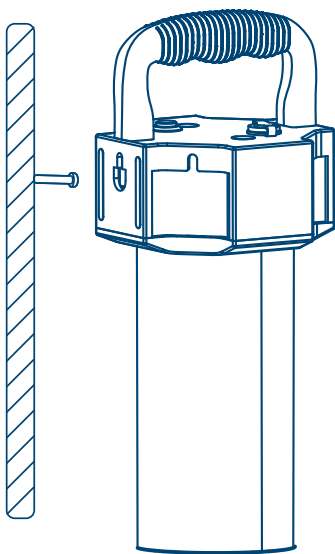




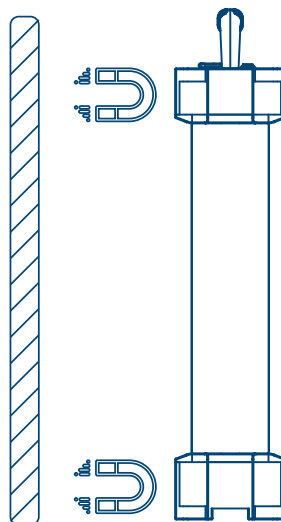
# ARMIX-M



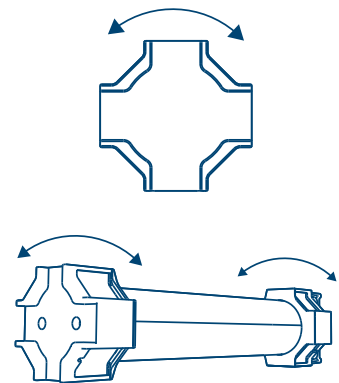
● On hook application /  
*Application murale sur crochet*



● With magnets / *Aimanté*



● Tilt to adjust the light beam /  
*Incliner pour ajuster le faisceau*



## TECHNICAL SPECIFICATIONS / SPÉCIFICATIONS TECHNIQUES

Reference	KAP-ARMM006	KAP-ARMM012	KAP-ARMM024
Power Output (W)	6W	12W	24W
Max Lumens	750	1500	3000
CCT	5000K		
CRI	>80		
Beam Angle	120		
Cover	Non Glaring Diffuser		
Battery(Lithium)	7.5V / 2Ah	7.5V / 4Ah	7.5V / 8Ah
Autonomy(Dimming)	210 Lm (8H)	450 Lm (8H)	1000 Lm (8H)
	420 Lm (4H)	750 Lm (4H)	1500 Lm (4H)
	750 Lm (2H)	1500 Lm (2H)	3000 Lm (2H)
Charger Input	100-240V 50/60Hz		
Charger Output	12V 2Ah		
IK	10		
IP	65		
Dimensions	98*98*314.5 mm	98*98*464.5 mm	98*98*614.8 mm
Weight	1.2 kg	1.3 kg	1.5 kg
Body Material	PC		
Operational Temperature	-20~+45°C		
Storage Temperature	-40~+80°C		
Lifetime	> 30,000h		

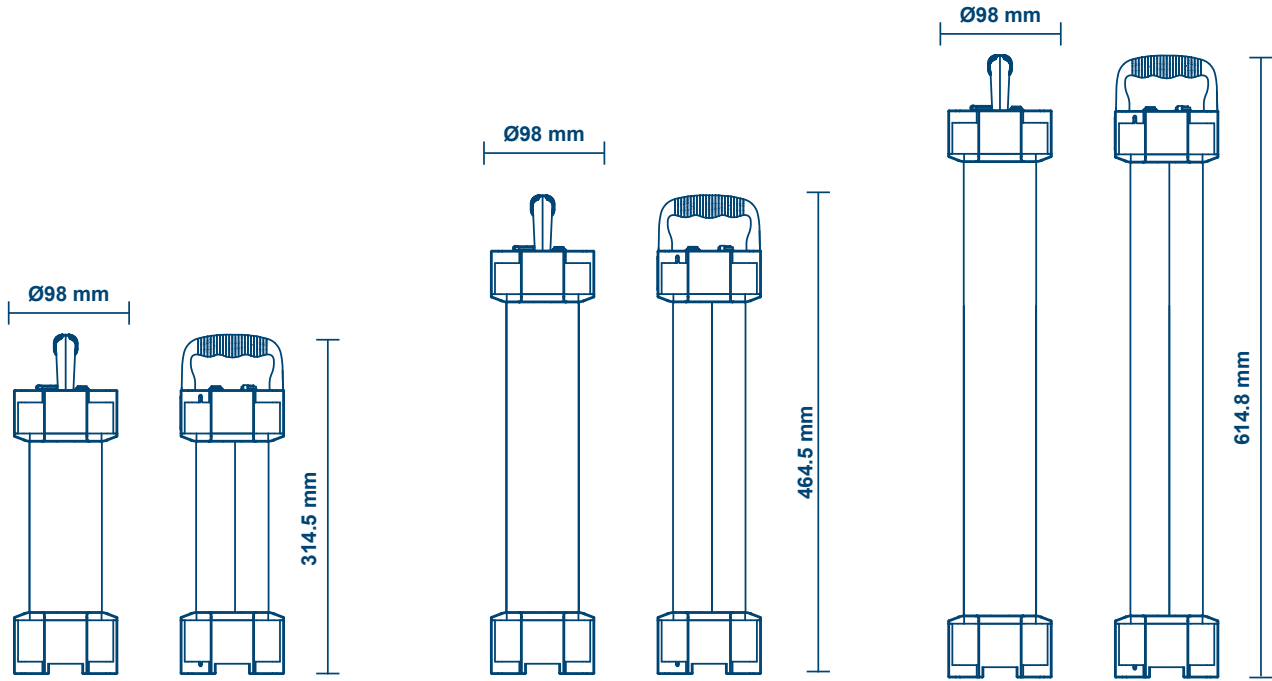
### Model number / Numéro de référence

**KAP -ARMM 012**

ARMIX series with LED chipsets  
Gamme ARMIX avec puces LED

Power / Puissance : **006 : 6W**  
**012 : 12W**  
**024 : 24W**

**PRODUCT DIMENSION / DIMENSION DU PRODUIT**



**Packing Information / Information Colisage**

**KAP-ARMM006**

Packing details	Size (mm)	Qty / ctn(pcs)	Net Weight (kg)	Gross Weight (kg)
Product	98*98*314.5	/	1.2	/
Inner box	120*120*400	1	0.17	1.52
Master Carton	255*380*415	6	0.7	9.82

**KAP-ARMM012**

Packing details	Size (mm)	Qty / ctn(pcs)	Net Weight (kg)	Gross Weight (kg)
Product	98*98*464.5	/	1.3	/
Inner box	120*120*550	1	0.21	1.66
Master Carton	255*380*565	6	0.8	10.76

**KAP-ARMM024**

Packing details	Size (mm)	Qty / ctn(pcs)	Net Weight (kg)	Gross Weight (kg)
Product	98*98*614.8	/	1.5	/
Inner box	120*120*700	1	0.27	1.92
Master Carton	285*380*715	6	0.9	12.42