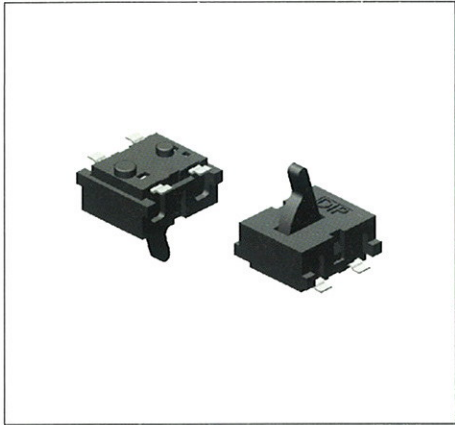
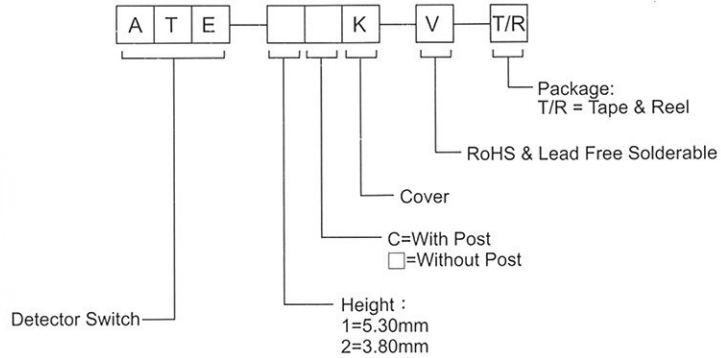


# ATE SERIES

## Detector Vertical Type



### HOW TO ORDER



### SPECIFICATION

#### MECHANICAL

Mechanical Life: 100,000 cycles  
 Operation Force: 40gf max.  
 Stroke : 3.90mm max. < Stem Height 5.30mm>  
 2.60mm max. < Stem Height 3.80mm>

#### ENVIRONMENTAL

Operation Temperature Range : -10°C to +60°C  
 Storage Temperature Range : -20°C to +70°C

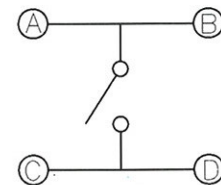
#### ELECTRICAL

Electrical Life: 100,000 cycles.  
 Rating: 1mA, 5VDC.

#### PACKAGE

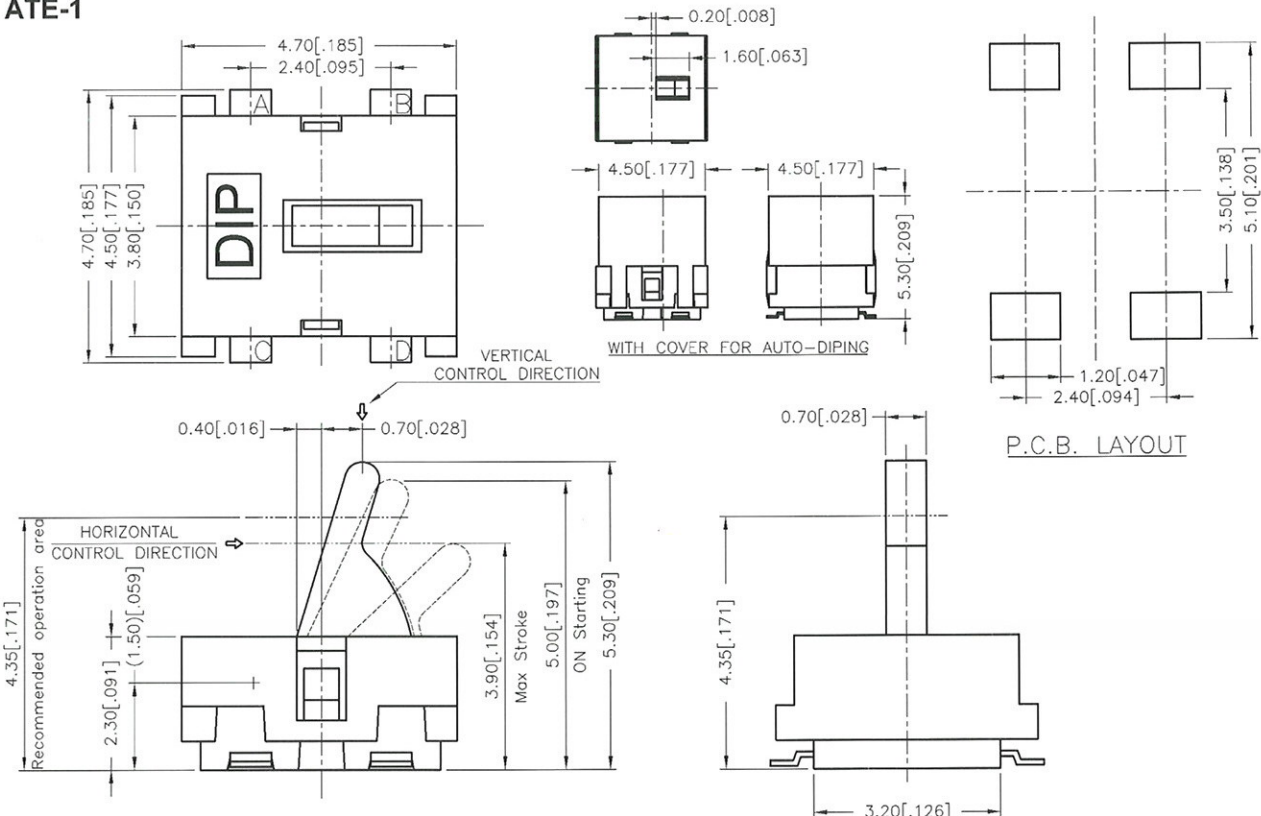
ATE-1□□-T/R: 900 pcs/reel  
 ATE-2□□-K-T/R: 900 pcs/reel  
 ATE-2□□-T/R: 1200 pcs/reel

### CIRCUIT



DETECTOR SWITCH

### ATE-1

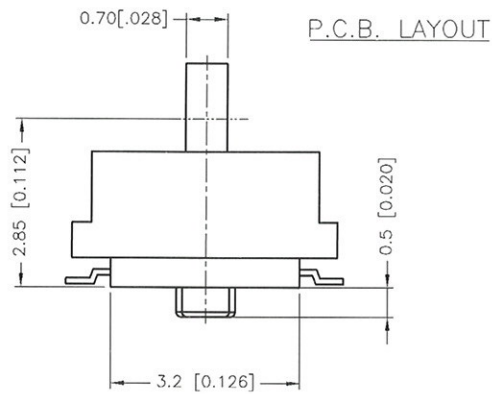
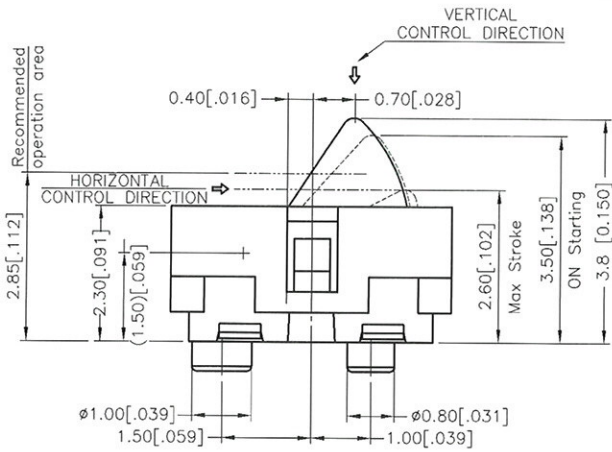
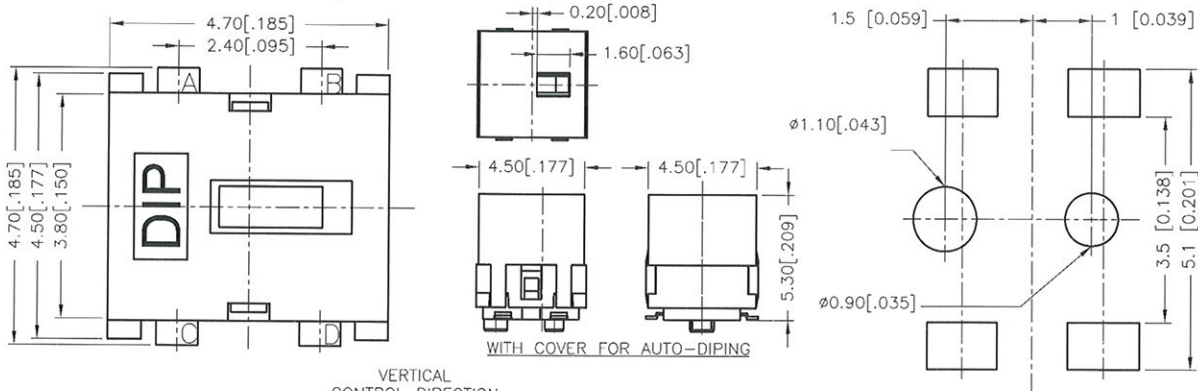


# ATE SERIES

## Detector Vertical Type



### ATE-2C



DETECTOR SWITCH