

CAD32P7 Schneider

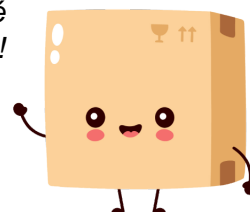


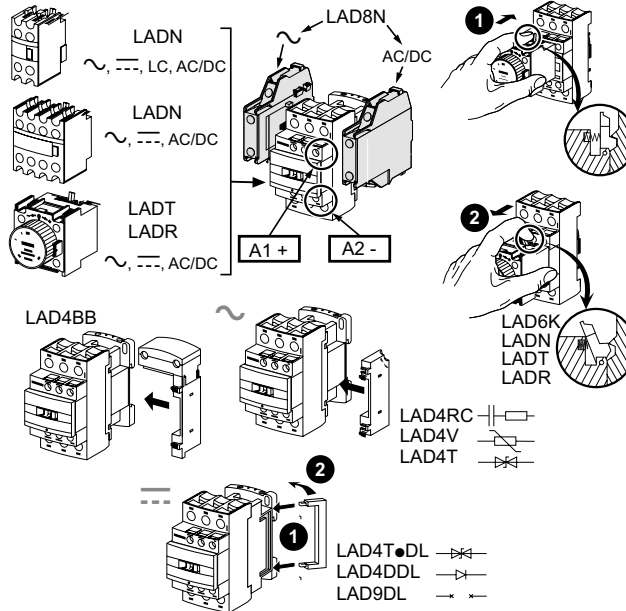
**Relais de commande TeSys - bobine
230VAC - 10A - 3F+2O - instantané**
Réf CAD32P7

42.97€^{TTC*}

Voir le produit : <https://www.domomat.com/23401-relais-de-commande-tesys-bobine-230vac-10a-3f2o-instantane-schneider-electric-cad32p7.html>

Le produit Relais de commande TeSys - bobine 230VAC - 10A - 3F+2O - instantané est en vente chez Domomat !





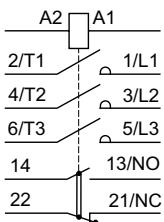
	Elevator Duty HP ratings / 电梯专用马力 (HP) 额定值				
	One Phase / 单相	Three Phases / 三相			
	230 V	200/208 V	230 V	460 V	575 V
LC1D12 (ac)	1.5	2	3	7.5	7.5
LC1D18 (ac)	3	5	5	-	-
LC1D25 (ac)	3	5	7.5	15	20
LC1D32 (ac)	5	10	-	-	-

Only applicable for UL/CSA marked products.

Device / 设备	UL/CSA Lighting Ratings / UL/CSA 照明电流额定值	
	Ballast, 600 V / 镇流器	Tungsten, 480 Y/277 V / 钨丝灯
LC1D09 (ac)	20 A	20 A
LC1D12 (ac)	25 A	20 A
LC1D18 (ac)	32 A	25 A
LC1D25 (ac)	40 A	40 A
LC1D32 (ac)	50 A	50 A
LC1DT20 (ac)	20 A	20 A
LC1DT25 (ac)	25 A	25 A
LC1DT32 (ac)	32 A	32 A
LC1DT40 (ac)	40 A	40 A

"For Motor Starting Use Schneider Electric Overload Relay Series LR".
电动机起动请使用施耐德电气LR系列热过载继电器

Only applicable for UL/CSA marked products.



⚠ DANGER / 危险

HAZARD OF ELECTRIC SHOCK, EXPLOSION OR ARC FLASH
 Disconnect all power before servicing equipment.
Failure to follow these instructions will result in death or serious injury.

可能有触电、爆炸或电弧灼伤危险。
 在此电力设备上进行操作时，请先断开所有电源。
 不遵循上述规定将可能导致人员伤亡。

	LC1D09/ D12	LC1DT20/ DT25/ D098/D128	LC1D18	LC1D25/ D32/D38	LC1DT32/ DT40/ D188/D258	LC1D●●, LA●●
	8 mm 5/16"	12 mm 6/13"	8 mm 5/16"	10 mm 3/8"	12 mm 6/13"	8 mm 5/16"
	1...4	1...4	1.5...6	2.5...10	2.5...10	1...4
	1...4	1...4	1.5...6	2.5...10	2.5...10	1...4
	1...4	1...4	1...6	1...10	2.5...10	1...4
	1...2.5	1...2.5	1...4	1.5...6	2.5...10	1...2.5
	1...4	1...4	1.5...6	1.5...10	2.5...16	1...4
	1...4	1...4	1.5...6	2.5...10	2.5...16	1...4
AWG	10-18 CU 75°C	10-18 CU 75°C	10-14 CU 75°C	8-14 CU 75°C	8-12 CU 75°C	10-14 CU 75°C
	6 mm 0.24 in	6 mm 0.24 in	6 mm 0.24 in	6 mm 0.24 in	6 mm 0.24 in	6 mm 0.24 in
	1.7 N.m 15 lb-in	1.7 N.m 15 lb-in	1.7 N.m 15 lb-in	2.5 N.m 22 lb-in	1.8 N.m 16 lb-in	1.7 N.m 15 lb-in

⚠ ⚠ WARNING / 警告

RISK OF FIRE OR ELECTRIC SHOCK (FOR CONTACTOR WITH UL HI-FAULT SHORT CIRCUIT CURRENT RATINGS ONLY)

- The opening of the branch-circuit protective device may be an indication that a fault current has been interrupted.
- To reduce the risk of fire or electric shock, current-carrying parts and the other components of the controller should be examined and replaced if damaged.

Failure to follow these instructions can result in death, serious injury, or equipment damage.

可能有火灾或者触电的危险（仅限UL高故障短路电流额定值的接触器）。
 支路保护设备断开，表明故障电流已被中断。
 为降低火灾或触电风险，应检查带电部件和其他控制元件，如有损坏，需及时更换。
 不遵循上述规定将可能导致人员伤亡或设备损坏。

Definite Purpose ratings, 3 Phase, Breaking All Lines
 Hermetic refrigeration compressor
 特定用途额定值, 3 相, 断开所有线路
 封闭式制冷压缩机设备

Device	FLA	LRA		
		240 V	480 V	600 V
LC1D09 (ac)	9	54	45	36
LC1D12 (ac)	12	72	60	48
LC1D18 (ac)	18	108	90	72
LC1D25 (ac)	25	150	125	100
LC1D32 (ac)	32	192	160	128

Only applicable for UL/CSA marked products.

Schneider Electric Industries SAS www.schneider-electric.com
 35, rue Joseph Monier CS 30323 W9 1378304 0211 A08
 F - 92506 Rueil Malmaison Cedex 05/2016

3P AC TeSys D contactors are grade 3 (LC1D09 -> LC1D18) and grade 2 (LC1D25 -> LC1D38) according to GB 21518.
 Maximum power consumption lower than 9.5 VA.
 根据GB 21518标准，三相 TeSys D系列交流接触器能效等级为3级 (LC1D09 -> LC1D18) 和2级 (LC1D25 -> LC1D38)，产品最大吸持功率低于9.5VA