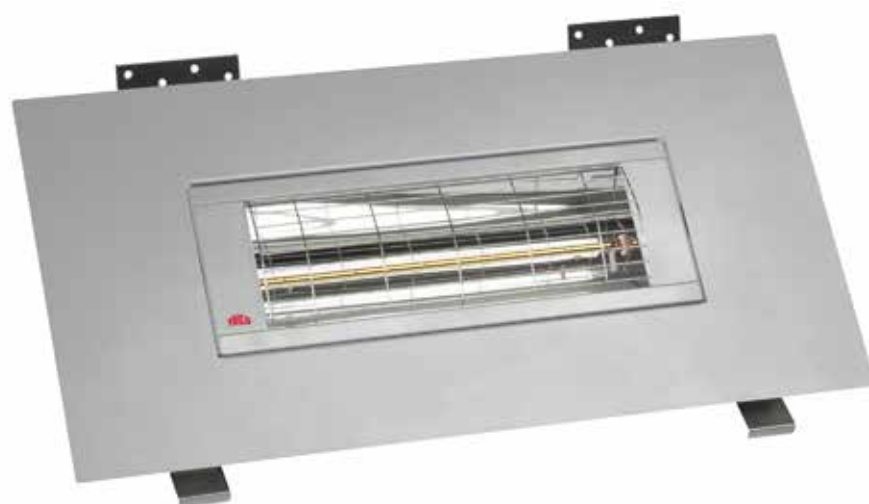


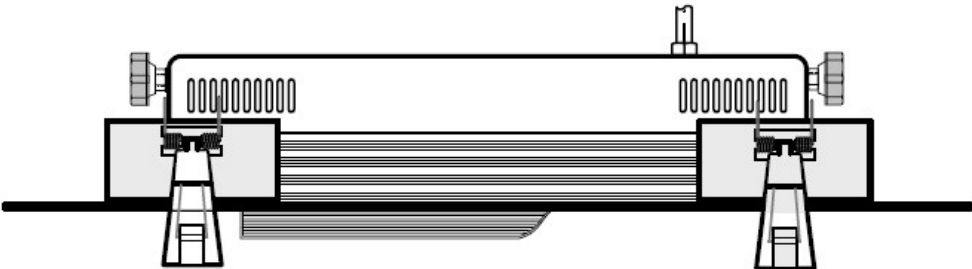
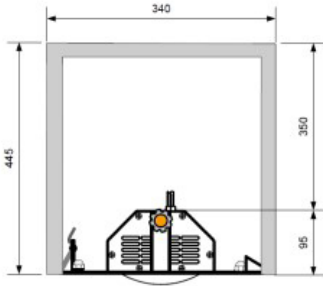
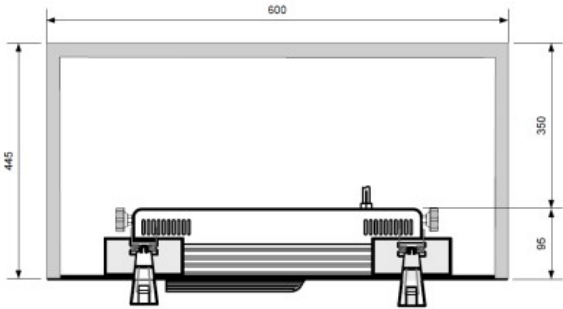
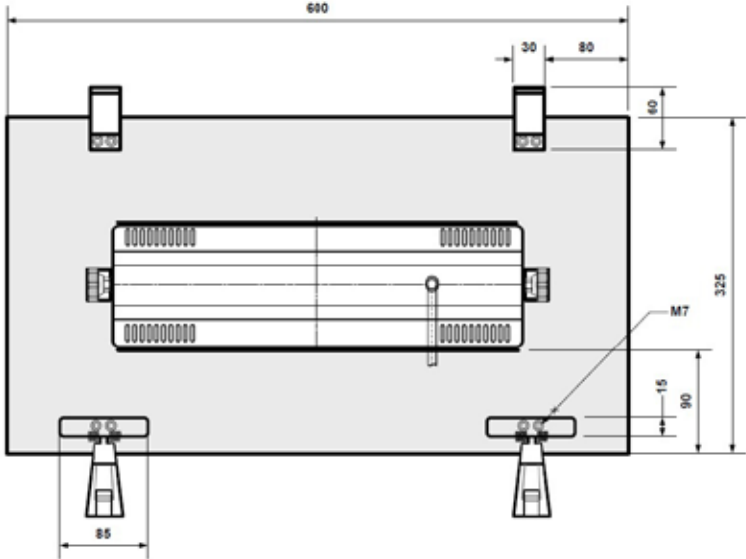
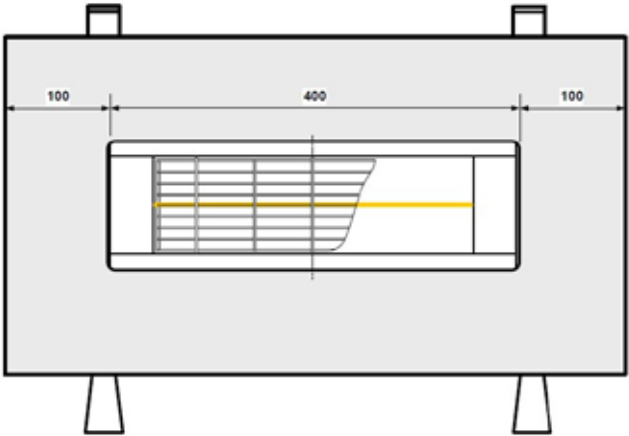
**Infraclex
IHA15WF/SF
IHA20WF/SF**



GB ... 3

DE ... 5

Infraflex IHA15/20



ASSEMBLY AND OPERATING INSTRUCTIONS

Dear Customer, please read the following information carefully before using the appliance for the first time for your own safety and to ensure correct use.

SAFETY INSTRUCTIONS

- Only connect the device to a properly installed grounding type receptacle. If you encounter problems with the connection, check that the fuse is not being overloaded by other electric power consumers. It is advisable to use a separate fuse for the radiant heater. It may be necessary to use a slow-blowing type C fuse.
- Only connect devices to alternating current voltage as stated on the type plate!
- Never touch live parts! Risk of fatal injury!
- Never operate the device with wet hands! Risk of fatal injury!
- Never operate the device if the device or lead are damaged. Risk of injury!
- Do not store or use readily flammable substances or sprays in the vicinity of the device when in operation. Risk of fire!
- Do not use the device in a readily flammable atmosphere (e.g. in the vicinity of combustible gases or spray cans)! Risk of explosion and fire!
- Caution! Do not insert foreign objects into the device openings! Risk of injury (electric shock) and damage to the device!
- Caution! Do not look into the light for prolonged periods of time!
- Caution: The device/protective grill becomes very hot during operation! For this reason, install the device such it cannot be touched accidentally. Risk of burning!
- Never attempt to adjust the pivoting angle when the device is in operation! Risk of burning!

Allow the device to cool down first before adjusting it.

- Children and persons under the influence of medication should only be allowed to use the device under supervision! Ensure that children cannot play with electrical devices!
- The socket must be accessible at all times

so that the mains plug can be disconnected quickly.

- The operating instructions belong to the device and must be kept in a safe place! In case of a change of owner, the instructions must be supplied along with the device!
- Allow the device to cool down before removing it!
- No objects whatsoever such as garlands and streamers should be fastened to the radiant heater. Risk of fire!

LOCATION

- The radiant heater is equipped with a frame for ceiling or wall mounting and must be secured in the 2kW version (BHSF20-x) at least 2.1 m above the ground. The installation height for the 1.5kW version is at least 1.8 m above the ground.
- The device may only be commissioned if it has been mounted level.
- The distance between the protective grill and combustible objects and other buildings must be at least 150 cm.
- Do not expose the device to rain or other moisture!
- Since the device emits radiant heat, make sure that no items, such as furniture, are located between the device and the persons or objects to be warmed!

POWER CORD

- The power cord must not come into contact with heated parts of the device!
- Never remove the plug from the socket by pulling on the cord! Never move the device by pulling on the cord or carry the device by the cord!
- Do not wind the cord around the device! Do not operate the device with the cord wound up!
- Do not clamp the cord, or pull it over sharp edges!

INSTALLATION

- The device may only be installed and connected by qualified professionals. The installation must be isolated prior to

commencing any electrical work!

Risk of fire!

- The device is secured and held in the ceiling cut-out by means of four retaining clamps. The edge of the ceiling cut-out must have a sufficient load-bearing capacity for securing the radiant heater.
- The ceiling cut-out must have the dimensions 305 to 310 mm x 510 to 580 mm.
- When installing the device, no supporting elements such as joists, rafters or roof battens should be damaged.
- Under no circumstances should the cavity above the radiant heater be filled with insulating material or other materials.
- Sufficient air exchange for heat dissipation must be ensured in the cavity above the radiant heater.
- The device is equipped with a mains lead fitted with a grounding type plug without a switch. The device must be switched on and off by means of a locally installed switch. Only commission the device after it has been fully installed.

COMMISSIONING

- After switching on the device when commissioning it for the first time as well as after a lengthy period of non-use, it is possible that odors may be emitted for a short while.

CLEANING

- First disconnect the device from the mains.
- Once cooled down, it is possible to wipe down the frame dry.
- Do not touch quartz bars with fingers, as doing so can leave marks and cause them to fail.
- The reflector should be cleaned at regular intervals from outside with a paint brush.
- Do not use abrasive or caustic detergents!
- Never immerse the device in water! Risk of fatal injury!

CUSTOMER SERVICE

- Only authorized professionals are permitted to perform repairs to the device!

Important! Unprofessional tampering invalidates all warranty entitlement.

- Improper repairs can result in considerable risks for the user!

TECHNICAL DATA

Color: White or silver

Casing: Sheet steel, varnished

Cord length: 2.9 m with grounding type plug

Switching on/off: Via separate light switch to be installed (locally) by the electrician

Application: Indoors

Technical Data

Connection/fuse: 230/240 Volt (50/60 Hz) with 16 Amp B or C (= slow-blowing fuse)

Output: 1500 Watt / 2000 Watt

Infrared tube: HANA 'Gold Tube'

Guaranteed service life: 5000 hours (approx. 10-15 years with average use)

Type of protection: IP 20

Dimensions (W x D x H): 600 mm x 325 mm x 110 mm

Weight: 4.55 kg

Installation depth: min. 450 mm

Cut-out length/width: 305 to 310mm x 510 to 580 mm

Ceiling panel/panel thickness: max. 15 mm

Main office

Frico AB
Box 102
SE-433 22 Partille
Sweden

Tel: +46 31 336 86 00

mailbox@frico.se
www.frico.se

**For latest updated information and information
about your local contact: www.frico.se**

