

Notice Schneider - LC2D25B7

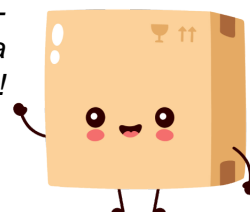


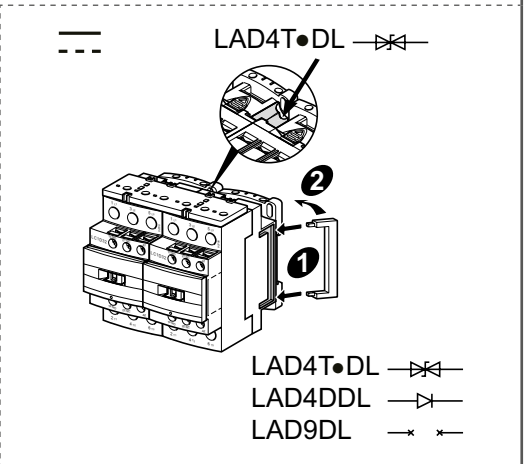
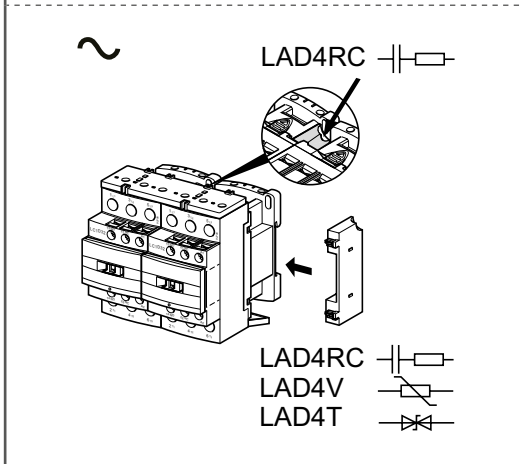
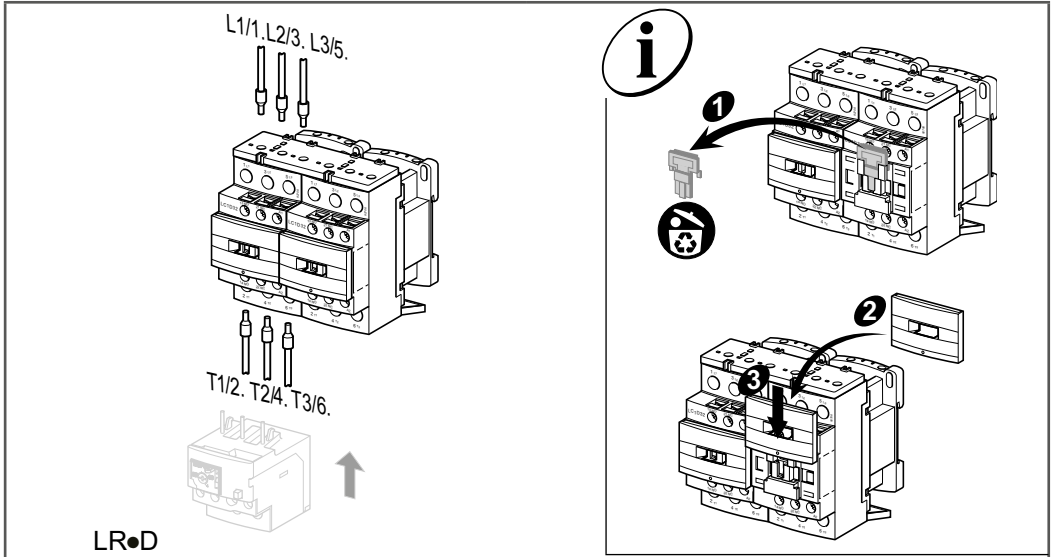
**Contacteur inverseur TeSys LC2D
Schneider - 440V - 3P - AC-3 - 25A -
Bobine 24Vca**
Réf LC2D25B7

207.24€^{TTC*}

Voir le produit : <https://www.domomat.com/56661-contacteur-inverseur-tesys-lc2d-schneider-440v-3p-ac-3-25a-bobine-24vca-schneider-electric-lc2d25b7.html>

*Le produit Contacteur inverseur TeSys LC2D Schneider - 440V - 3P - AC-3 - 25A -
Bobine 24Vca
est en vente chez Domomat !*

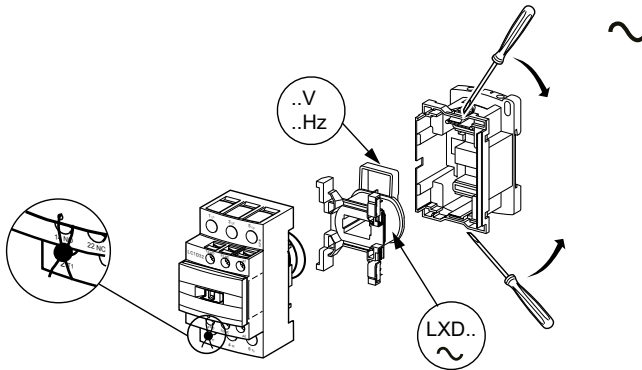




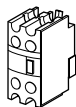
⚠ ⚠ DANGER / 危险

HAZARD OF ELECTRIC SHOCK, EXPLOSION, OR ARC FLASH
 Disconnect all power before servicing equipment.
Failure to follow these instructions will result in death or serious injury.

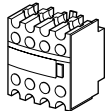
可能有触电、爆炸或者电弧灼伤的危险
 在此电力设备上进行操作时，请先断开所有电源。
 不遵循上述规定将可能导致人员伤亡。



- ~ : Alternative current coil
- : Continuous current coil
- LC : Continuous 100mA current coil
- AC/DC : Alternative and continuous current coil



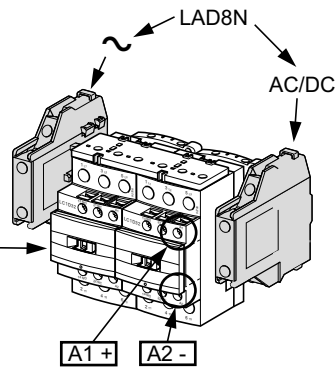
LADN
~ , —, LC, AC/DC



LADN
~ , —, AC/DC



LADT
LADR
~ , —, AC/DC



«For Motor Starting Use Schneider Electric Overload Relay Series LR».
“电动机起动请使用施耐德电气LR系列过载继电器”

