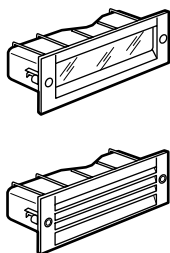


sarlam

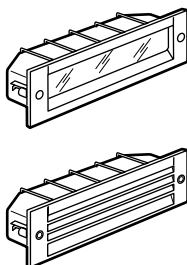
KALANK

NT 37 015/03

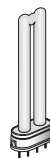
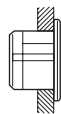
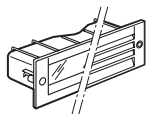
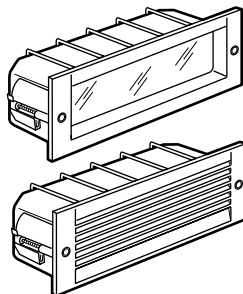
T 1 (210 x 85 mm)



T 2 (264 x 85 mm)



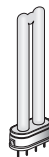
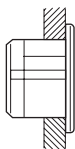
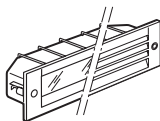
T 3 (330 x 130 mm)



T1 Max.

E14 15W

7 W

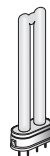
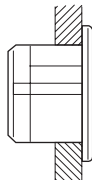
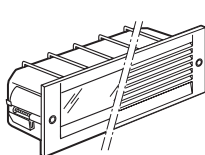


T2 Max.

E14 25W

9 W

16 Leds



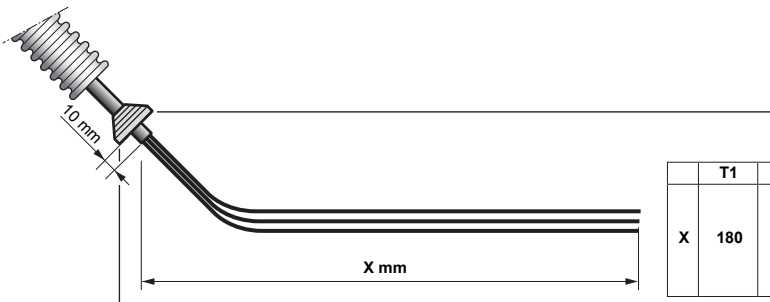
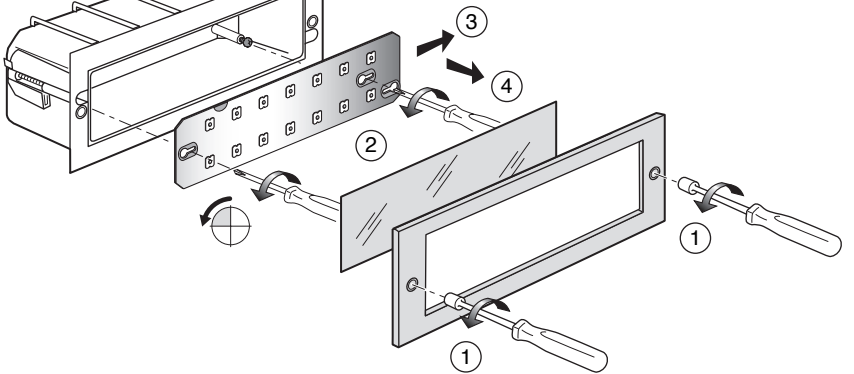
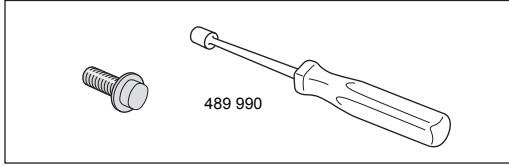
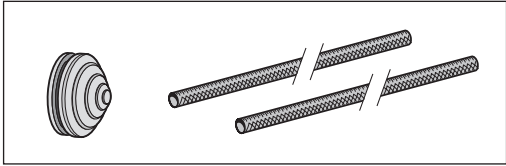
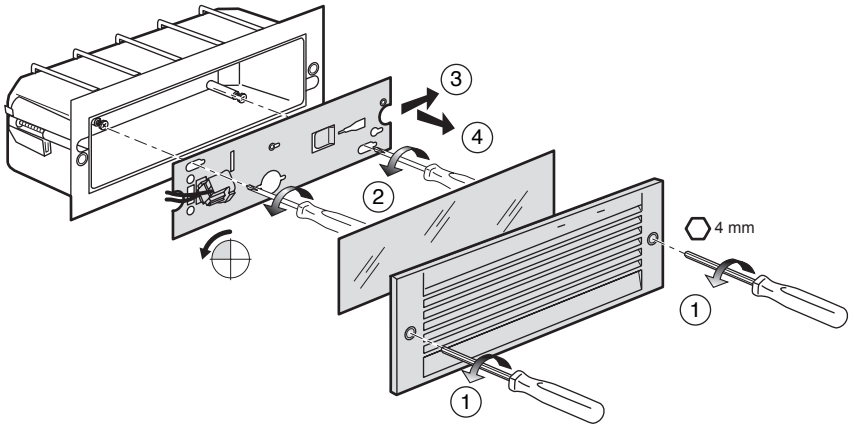
T3 Max.

E27 - 60 W

18W

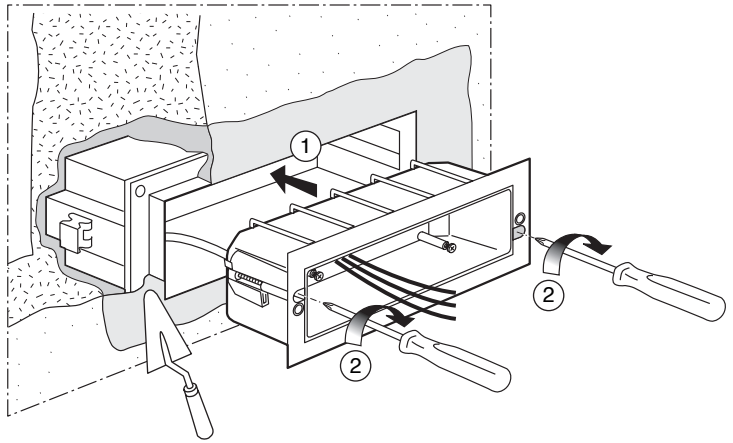
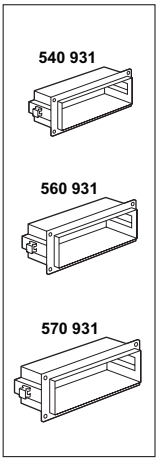
26W

1

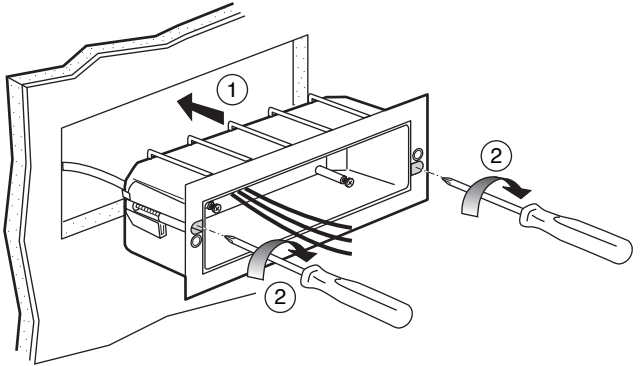
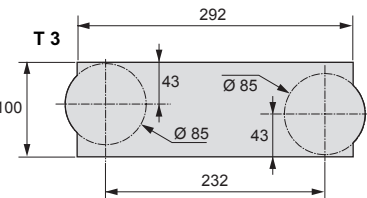
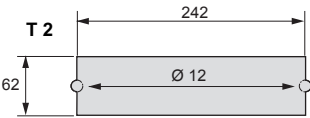
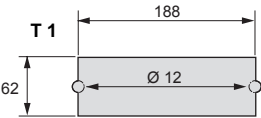


	T1	T2	T3
X	180	240	330

2



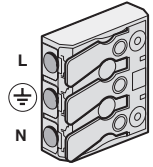
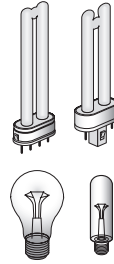
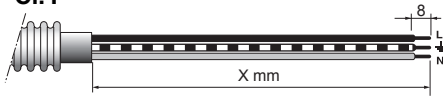
		T 1 A = 245 B = 87 C = 93
		T 2 A = 300 B = 87 C = 93
		T 3 A = 402 B = 145 C = 120



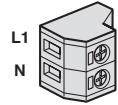
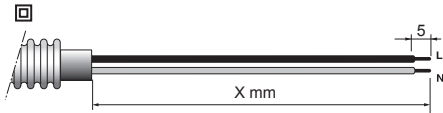
		T 1 D = 178 E = 61 F = 80
		T 2 D = 232 E = 61 F = 80
		T 3 D = 290 E = 100 F = 105

3

T1 - T2 - T3 Cl. I



T2



4

