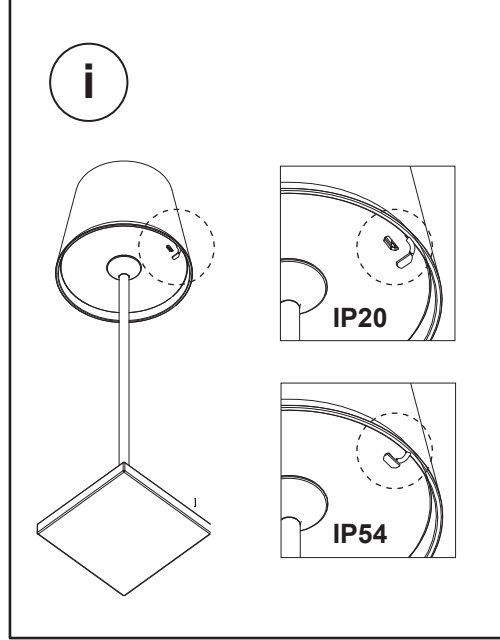
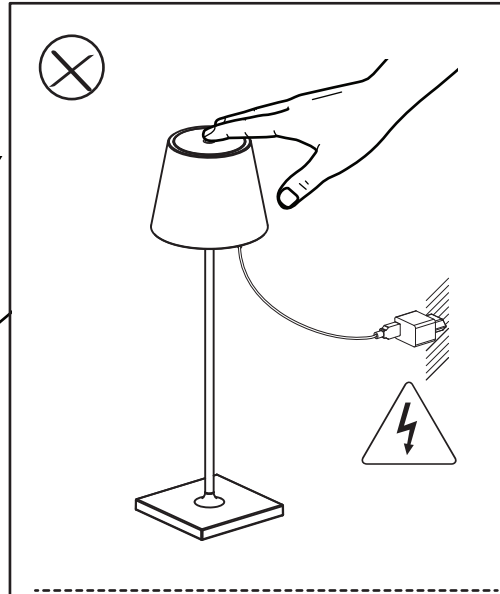


On / Off & Dimmable Intensity Switch



TECHNICAL FEATURES - CARACTERÍSTICAS TÉCNICAS

SMD LED Module 3000K max 2.2W max 150LM 3.7V, 4400mAh INCL		USB 5Vdc 1A charger		Operating voltage DC 3. 7V	
Built-in Rechargeable Lithium Battery Non-replaceable		Charging Battery Red indicator Full Battery Green indicator		Battery Capacity 18650 / 2200mAH*2	
IP54		ON/OFF		AC/DC ADAPTER INCL CLASSII, 100V-240V~50Hz/60Hz OUTPUT 5V 1A	
Max 8-9hr		Max 9hr		micro usb line 1,2m - incl	

