

Notice Bloc différentiel

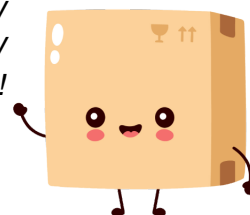


Bloc différentiel Vigic60 Schneider
- 40A - 30 mA - Type A Si- 230-240V
400-415V
Réf A9Q31240

157.64€^{TTC*}

Voir le produit : <https://www.domomat.com/101450-bloc-differentiel-vigi-ic60-schneider-40a-30-ma-type-a-si-230-240v-400-415v-schneider-electric-a9q31240.html>

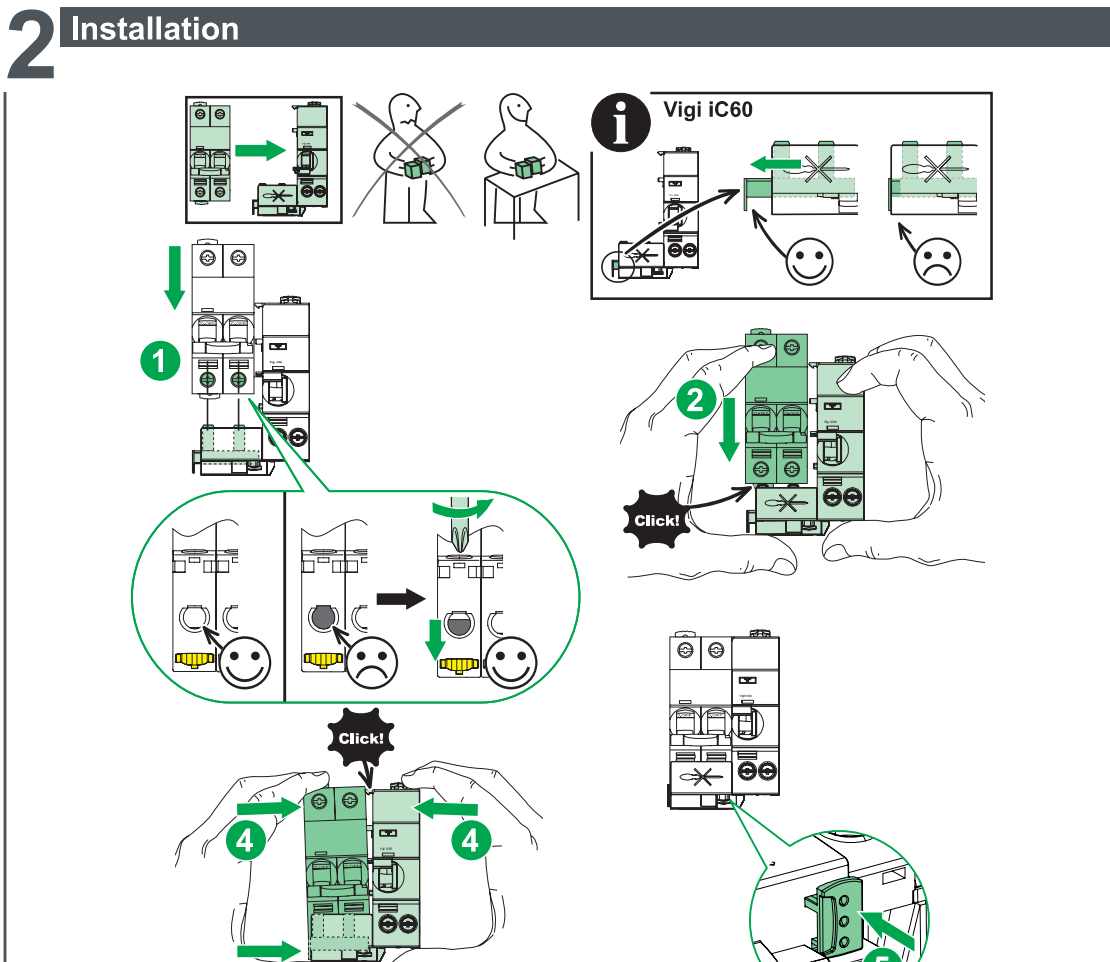
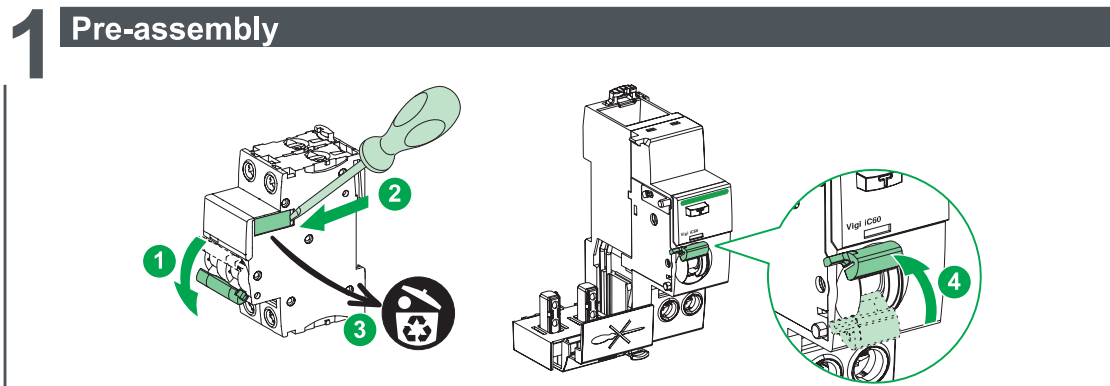
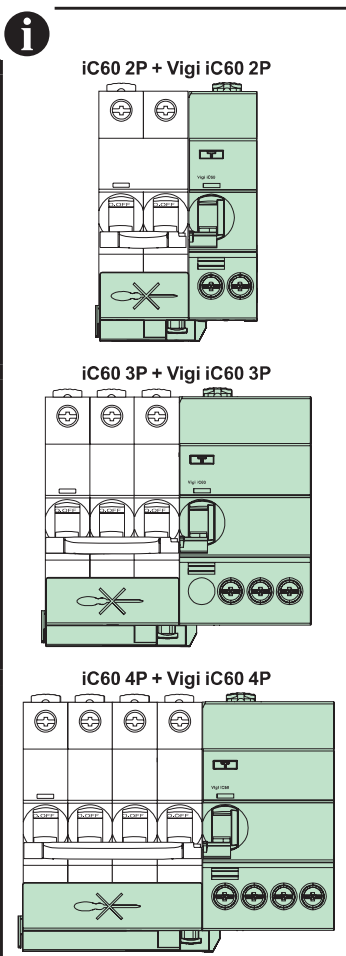
*Le produit Bloc différentiel Vigic60 Schneider - 40A - 30 mA - Type A Si- 230-240V
400-415V
est en vente chez Domomat !*





PLEASE NOTE

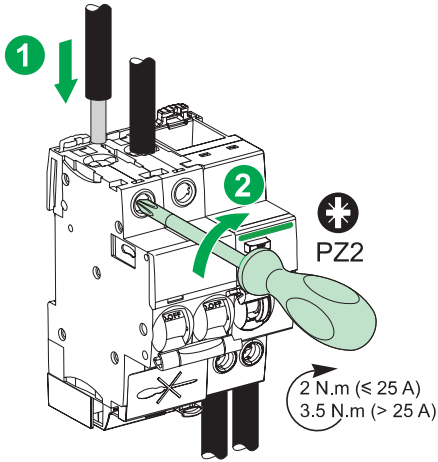
- The installation, maintenance and eventual replacement of this device must only be carried out by a qualified electrician.
- This device must not be repaired.
- All applicable local, regional and national regulations must be complied with during the installation, use, maintenance and replacement of this device.
- This device should not be installed if, when unpacking it, you observe that it is damaged.
- Schneider Electric cannot be held responsible in the event of non-compliance with the instructions in this document and in the documents to which it refers.
- The service instruction must be observed throughout the product life time of this device.



Association table

	Vigi iC60 25 A	Vigi iC60 40 A
iC60 ≤ 25 A	■	■
Reflex iC60 ≤ 25 A	■	■
iC60 32 A / 40 A	NO	■
Reflex iC60 40 A	NO	■
iC60 50 A / 63 A	NO	NO
Reflex iC60 63 A	NO	NO
C60, C120	NO	NO
iC60 LMA ≤ 16 A	■	■
iC60 LMA 25 A	NO	■
iC60 LMA 40 A	NO	NO

3 Wiring



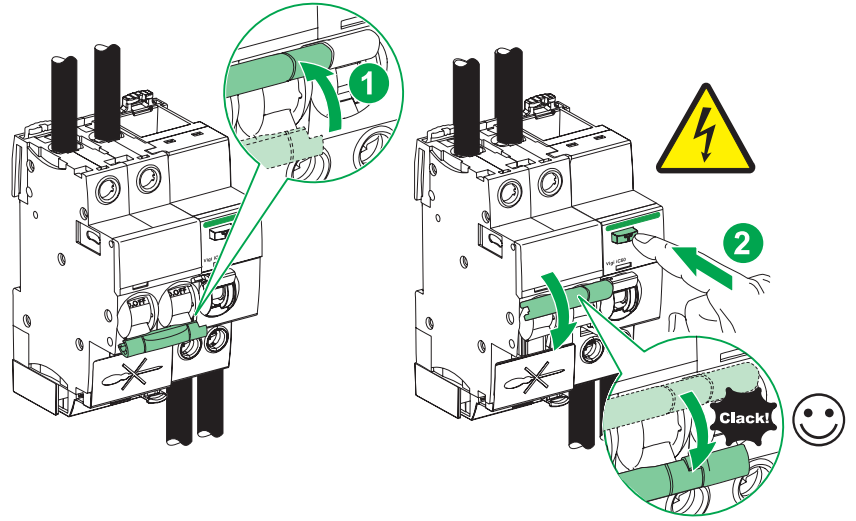
4 Testing

⚠ WARNING

PRODUCT OUT OF ORDER

Run a self diagnostic test of device after installing it, and then at regular intervals by pressing the Test button (marked T). (see drawing below).

Failure to follow these instructions can result in death, serious injury or equipment damage.



5 Disassembly

